



# 中速粉碎机TGM系列

## TGM Series Middle Speed Granulators

TGM

## 中速粉碎机TGM系列 TGM Series Middle Speed Granulators

TGM

中速粉碎机适用于水口料之粉碎再利用，专门设计能粉碎较硬的工程塑胶，又可粉碎较软的通用塑胶。适中的转速将粉屑、噪音的产生及刀具磨损降到最低点，动刀与定刀采用优质合金材质，使用寿命长。具有粉尘少、低噪音、低能耗，操作简便，性能优异的优点，并且设置多种安全保护装置，确保操作安全。

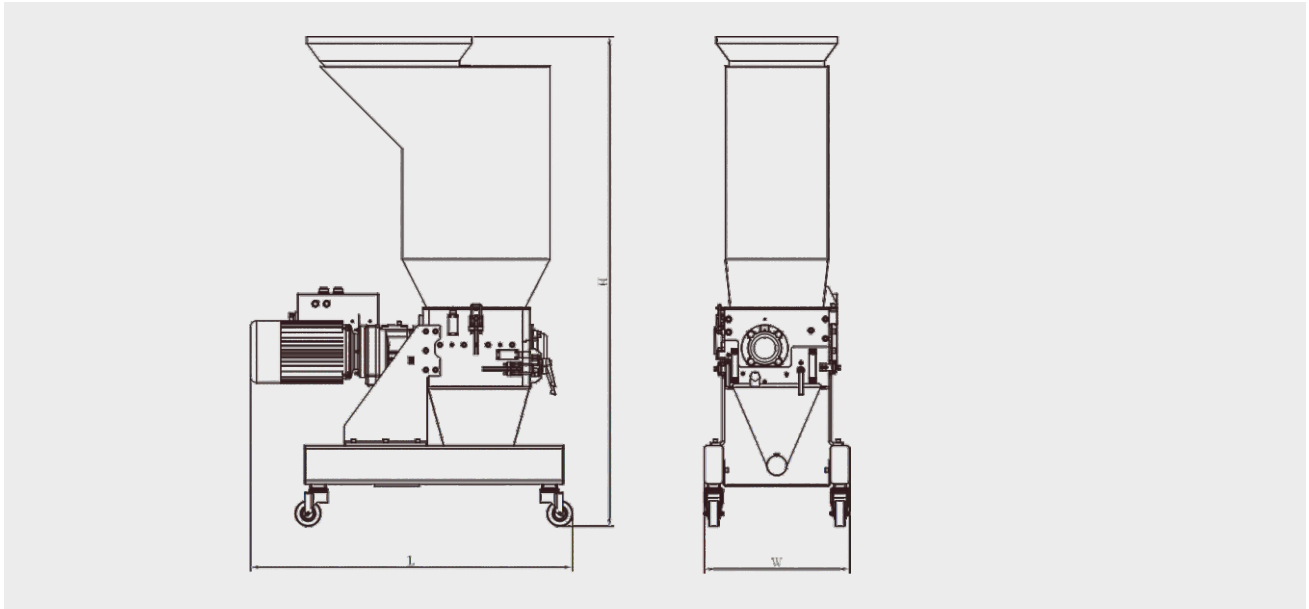
Middle Speed Granulators are mainly used for crushing regrind materials WLto recycleand specially designed not only for rigid engineering plastics but also for soft plastics.WLThe proper speed rotation results in less powder,less noise, and low-wearable ofcutters. Both rotor blades and fixed bladesare made of SKD-11 with long service life.



### ● 特点 Features

- 粉尘少、低噪音、低能耗。
- 高品质的粉碎颗粒,低转速特制减速马达(150r/min)。
- 刀具材质采用优质Cr12MOV, 经久耐用。
- 快速换刀与快速更换筛网设计, 维修与保养非常简便。
- 能粉碎较硬的工程塑料, 又可粉碎较软的通用塑料。
- 安全防护装置完善,性能稳定可靠。

- Less powder, low noise, low consumption.
- This unit is driven by low speed motor ( 150 rpm). It can granulate detective parts into well-proportioned granules.
- Blades are made of Cr12MOV with long service life.
- Rapid changing blades & screen design, easy maintenance.
- It is not only suitable for granulating rigid engineering plastics but also soft plastics.
- Safety protection device to comply with safety conformity,stable and reliable function.



● **规格表 Specification Sheet**

产品型号 MODEL	TGM-2327CB-L	TGM-2327CS-L	TGM-2729CB-L	TGM-2729CS-L
粉碎口径 Crushing Chamber (mm)	235 × 280		280 × 290	
粉碎能力(以PP料为标准) Crushing Ability (Kg/h)	35~40		40~45	
主轴转速 Revolutions (r/min)	140~150			
刀具结构形式 Cutter Type	爪刀Claw+筛网Screen Netting			
旋转刀数量 Rotating Blades	24		30	
筛网孔径 Screen Netting Size	φ6 φ8 φ10			
马达功率 Motor Power (HP)	3		5	
机器总功率 Total Power (KW)	2.2		3.7	
电源线规格 Wires Specifications (mm <sup>2</sup> )	3 × 2.5+2 × 1.5		3 × 2.5+2 × 1.5	
电源线长度 Wires Length (m)	5			
碎料回收方式 Crushing Recycle Type	料箱式 Box	吸料式 Suction	料箱式 Box	吸料式 Suction
外形尺寸 Imensions LxHxW(m)	1 × 1.23 × 0.5	1 × 1.23 × 0.5	1 × 1.24 × 0.5	1 × 1.24 × 0.5
重量 Weight(Kg)	230		260	

注：产品规格若有变更，恕不另行通知 We reserve right to change specifications without prior notice

有关产品性质和适用范围的说明并不保证产品属性，仅作可供了解的信息。我们的供货范围及提供的服务完全以合同条款为准绳。技术数据和插图仅作为供货参考。保留更改权利。

Feature and scope of the product does not guarantee the product attributes, only for reference. Our scope of delivery and services provided are based solely on the terms of delivery and services provided are based solely on the terms of the contract. Technical data and illustration are only for reference. We reserve the rights of changing.

TSD-2021-12

## 广东拓斯达科技股份有限公司

GUANGDONG TOPSTAR TECHNOLOGY CO.,LTD.

地址：广东省东莞市大岭山镇大塘朗创新路2号

ADD : No.2 Chuangxin Road, Datanglang, Dalingshan Town, Dongguan City, Guangdong Province.

电话/TEL: 0769-8305 0999 传真/FAX: 0769-8584 5562

全国统一客服热线 Domestic Service Hotline **400-096-8005**

